

TECHNICAL INFORMATION

PRO FLOW

STREETS AND ROADS | CYCLEWAYS | EXERCISE PATHS
PARKS AND COURTYARDS | AREA LIGHTING



EASY | LED

PRO FLOW

PRO Flow is smart: The streamlined and compact PRO Flow suits all kinds of environments from roads to courtyards and parks. The clean Scandinavian design stays fresh through the whole lifespan of the luminaire.

PRO Flow is cost effective: Assembled in a die-cast aluminium body, the PRO Flow will endure for years to come. The luminaire is designed to require very little maintenance and its components are replaceable.

PRO Flow creates safety: The familiar Easy LED road and area lighting optics are known for their efficiency. They make the PRO Flow suitable for all kinds of environments. The lens cover is hardened glass and extra bright.

- A brand new luminaire with all the familiar Easy LED characteristics, including DALI control.

- A versatile smart luminaire, which can be fitted, for example, with wireless control or customisable driver. The revised Kaamos dimmer has also even more options than before.

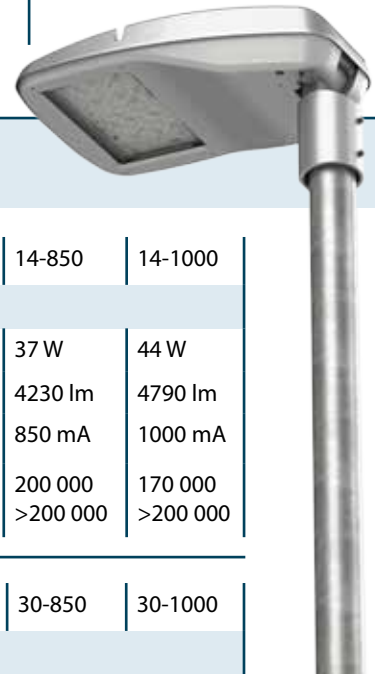
- Upgradeable and easy to maintain. The luminaire's construction is future proof and it has an automatic maintenance switch for safety.

- Durable. The blasted aluminium surface with a self-cleaning cooling system guarantees an exceptional performance level. IK08 and IP66 certified.

- Easy to install and adjust. The automatic power switch and body that stays open provide safety during maintenance. The integrated mounting angle allows light adjustment also after installation.

- Designed and manufactured in Finland.

- Energy efficient. The PRO Flow has a lifespan of over 30 years and needs only a little maintenance.



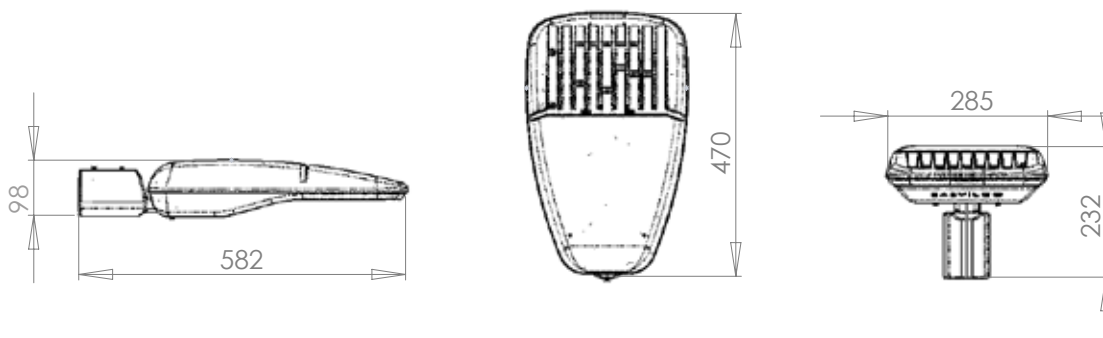
PRO Flow S

Model	14-350	14-420	14-500	14-600	14-700	14-850	14-1000
LEDs	14 pcs.						
Input power [W]	16 W	19 W	22 W	26 W	31 W	37 W	44 W
Luminous flux [lm]	1960 lm	2310 lm	2690 lm	3140 lm	3640 lm	4230 lm	4790 lm
Driving current [mA]	350 mA	420 mA	500 mA	600 mA	700 mA	850 mA	1000 mA
LED unit lumen maintenance L90B10, C10:	>200 000	>200 000	>200 000	>200 000	>200 000	200 000	170 000
L80B10, C10:	>200 000	>200 000	>200 000	>200 000	>200 000	>200 000	>200 000

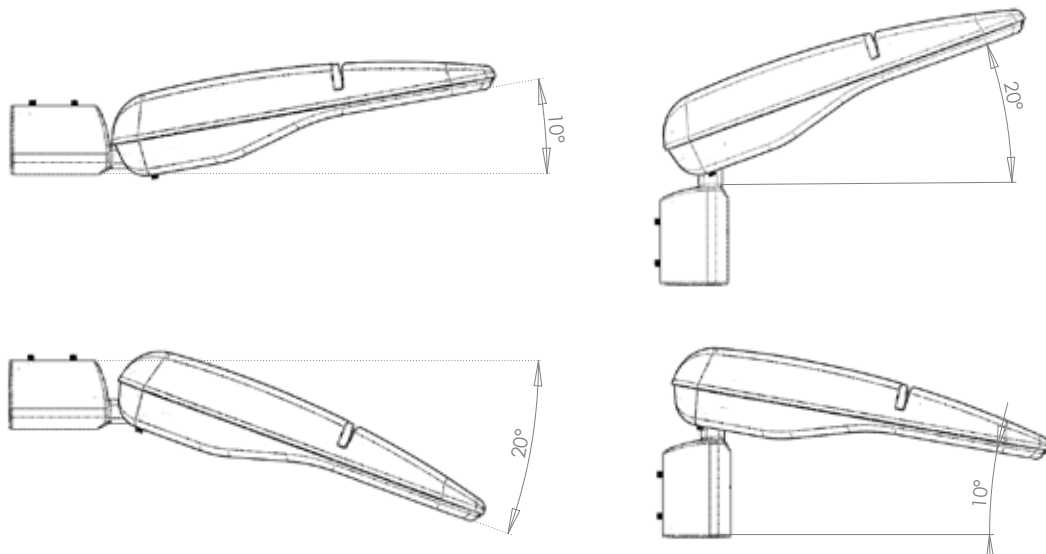
Model	30-350	30-420	30-500	30-600	30-700	30-850	30-1000
LEDs	30 pcs.						
Input power [W]	32 W	38 W	45 W	54 W	63 W	76 W	90 W
Luminous flux [lm]	4270 lm	5000 lm	5790 lm	6710 lm	7570 lm	8470 lm	9450 lm
Driving current [mA]	350 mA	420 mA	500 mA	600 mA	700 mA	850 mA	1000 mA
LED unit lumen maintenance L90B10, C10:	>200 000	>200 000	>200 000	180 000	150 000	80 000	50 000
L80B10, C10:	>200 000	>200 000	>200 000	>200 000	>200 000	180 000	120 000

LED Oslon Square 4 000 K, standard hue. Values shown are nominal values and are subject to +/- 5 % tolerance. For latest values, ask for light distribution files.

PRO FLOW - technical drawings



Casing:	Aluminium
Lens cover:	Extra bright hardened glass
Coating:	Aluminium grey, shot-blasted, textured body. Available powder-coated and in RAL colours.
Optics:	Easy LED road and area optics
IP-class	IP66
IK-class	IK08
Temperature range	Designed for operating temperatures of -40°C ...+35°C (95 % RH)
Control	Integrated DALI. In addition a wide range of intelligent lighting controls and CLO available.
Input voltage:	230 VAC (operation range: 195,5–253 VAC)
Input frequency:	50–60 Hz
Power factor (PF) typical:	Input power >22 W: >0,95 & Input power <22 W: >0,9
Inrush current control:	L-GND, N-GND 10 kV (EN 61000-4-5), L-N 6 kV (EN 61547)
Automatic thermal protection:	Inbuilt 2-stage protection with advanced hysteresis
Luminaire protection class:	I , available II
Installation:	Horizontal and vertical tube 60–48 mm 34–48 mm as an accessory Adjustable in 5-degree steps without uninstalling the fastening or the luminaire.



Weight :	5,7 kg
Delivery:	Fully assembled
Guarantee:	5 years
Accessories:	Pre-assembled installation cable, Retrofitted light visors, Alternative fittings



	Standard		
CCT (nominal)	3000 K	4000 K	5000 K
CRI (typical)	72		
Luminaire luminous efficacy typical*	120 lm/W	133 lm/w	135 lm/W

* For latest values, ask for light distribution files.



EASY LED IS THE BRIGHT CHOICE

Investing in high quality LED lighting today will pay off far into the future. Easy LED Oy is a Finnish company specialised in manufacturing of energy efficient LED lighting systems for different uses and environments, such as sports arenas, industrial premises, roads and areas as well as retail and office spaces.

**EASY
LED**

Easy LED Oy
Meriniitynkatu 11
FI-24100 Salo - Finland
tel. +358 2 737 4420

easyled.fi